

SFT**Sanxin Façade Technology**

Window Wall System-WW1100

DESIGN ENGINEERING

MATERIAL TESTING

FABRICATION DELIVERY

Unitized Window Wall System-WW1100

SFT's WW1100 window wall system is designed for modern residential building that can be integrated with different doors and windows system. With SFT's unbeatable price and quality service, WW1100 is the best product for high-end residential or commercial projects.

Key Features:

1. All unit panels are pre-assembled in shop for the best QA/QC assurance.
2. Sub-head and Sub-sill design to provide installation tolerances up to 25mm or 1 inch to avoid site rectification works.
3. Shorten installation period – reduce field labor resource.
4. Unitized window wall is like a "flexible skin" of building for better allowance of inter-story differential movement.
5. Excellent water resistance .
6. With its inside glazed system, it is easy for glass replacement and for better maintenance service.

Quality Control

In order to control the product quality, SFT can provide the unitized window wall system complying with international specification standards. All the testing methods are according to AAMA & ASTM.



ISO 14001:2004



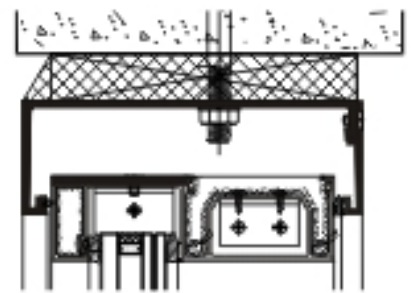
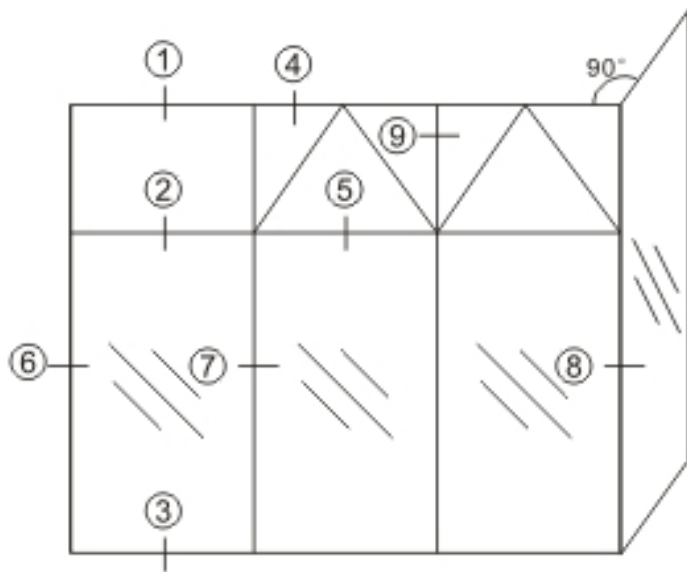
ISO 9001:2008



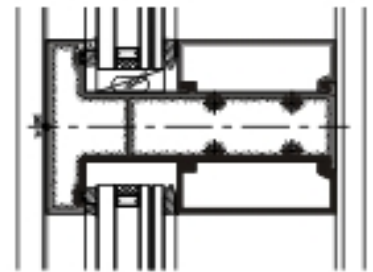
Subsidiary of AVIC Group

www.sanxinfacade.com
info@sanxinfacade.com

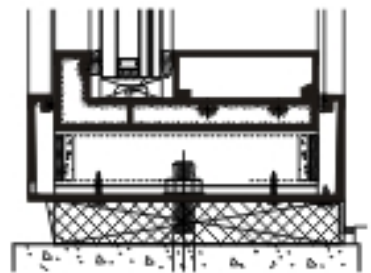
ALL DESIGN CONCEPTS AND DRAWINGS ARE COPYRIGHT RESERVED BY "SANXIN FAÇADE TECHNOLOGY LTD." DO NOT SCALE THE DRAWINGS.



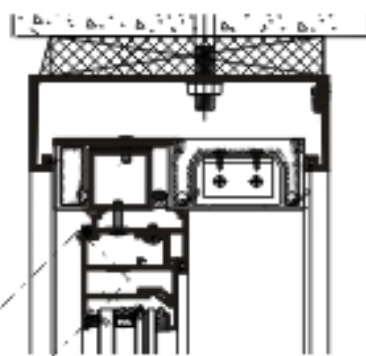
1 Subhead



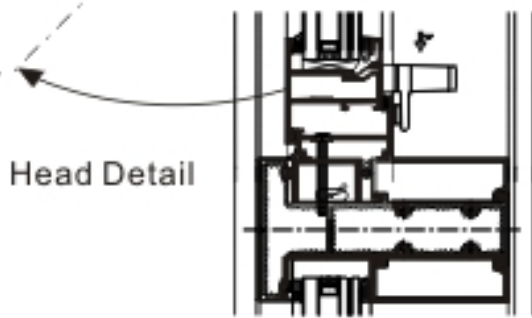
2 Transom



3 Subsill



4 Subhead with Vent

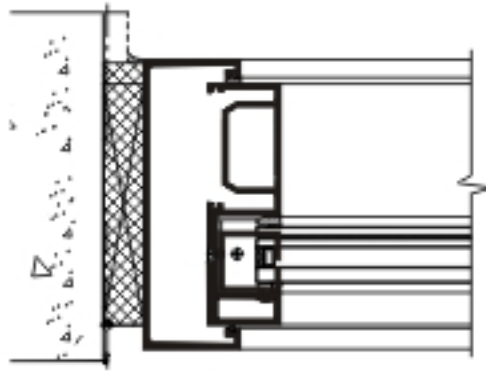


Head Detail

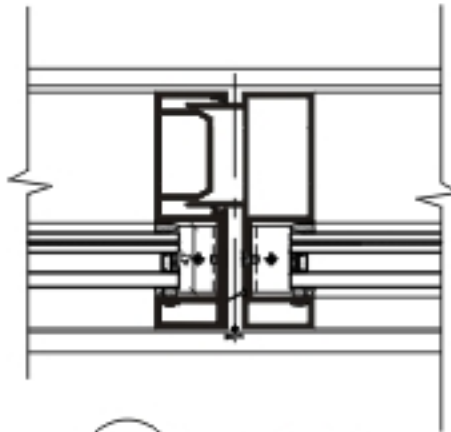
5 Transom with Vent



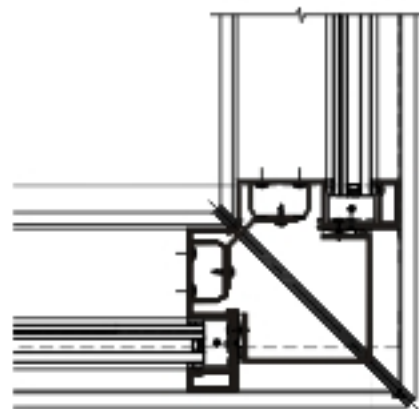
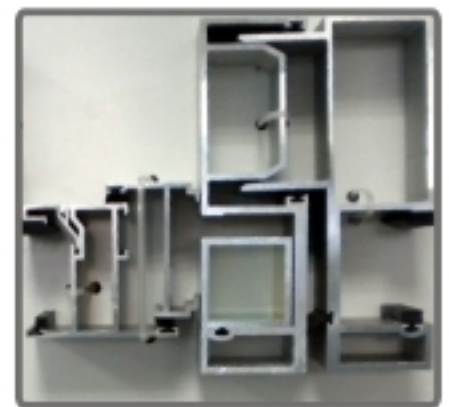
ALL DESIGN CONCEPTS AND DRAWINGS ARE COPYRIGHT RESERVED BY "SANXIN FAÇADE TECHNOLOGY LTD.". DO NOT SCALE THE DRAWINGS.



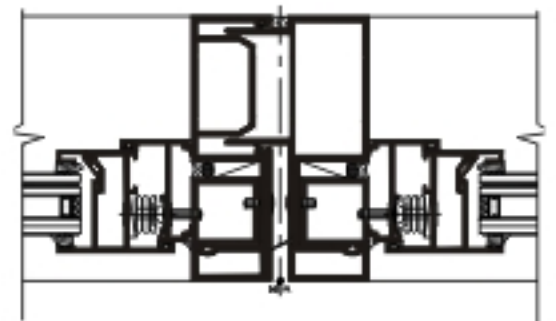
6 Jamb



7 Couple Mullion

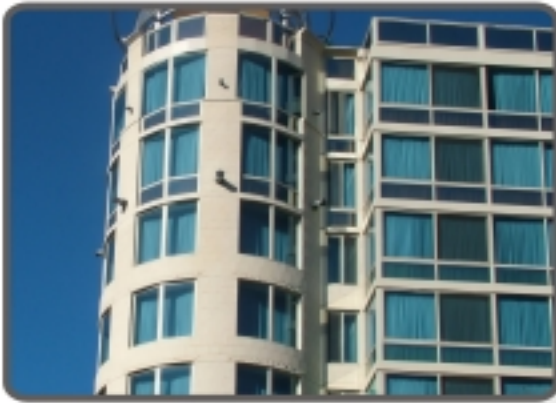


8 Corner Mullion



9 Couple Mullion with VENTS

ALL DESIGN CONCEPTS AND DRAWINGS ARE COPYRIGHT RESERVED BY "SANXIN FAÇADE TECHNOLOGY LTD.". DO NOT SCALE THE DRAWINGS.



Performance Test for WW1100 Unitized Window Wall System		
Procedure	Test Pressure	
	American Unit	Metric Unit
ASTM E283 Air Leakage	+/-6.3psf	+/-300Pa
ASTM E331 Water Penetration Test, Static	+15psf	+690Pa
AAMA 501.1 Water Penetration Test, Dynamic	+15psf	+690Pa
ASTM E330 Structural Design Load Test 100%	-72psf	-3440Pa
Repeat ASTM E283 Air Leakage	+/-6.3psf	+/-300Pa
Repeat ASTM E331 Water Penetration Test, Static	+15psf	+690Pa
ASTM E330 Structural Design Load Test 150%	-108psf	-5160Pa

