

# Sanxin Façade Technology

## Double Skin Façade System-CW3000

### Double Skin Façade System-CW3000

**Working Principle:** Double Skin Façade utilizes the stack effect and the phenomenon that hot air rises in the summer and the insulating properties of air in winter.

**The Basic Components of the System:** an outer layer composed of monolithic glazed units; a ventilated cavity, an inner layer composed of insulated glazed units.

**Thermal Insulation:** Double Skin Façade System can provide greater thermal insulation due to the outer skin both in winter and in summer. With the subsequent use of passive circulation and insulating properties of air for summer and winter conditions, thus heating/cooling energy saved is closed to 50% when compared with a standard single layer curtain wall. In most cases the system does not require mechanical equipment and as such no energy and very little maintenance cost is associated with a double skin façade system.

**Acoustic Insulation:** Reduced internal noise levels inside an office building can be achieved by reducing both the transmission from room to room (internal noise pollution) and the transmission from outdoor sources, i.e. heavy traffic (external noise pollution).

DESIGN ENGINEERING

MATERIAL TESTING

FABRICATION DELIVERY



**Low U-value and G-value:** Double Skin Facades can provide the low thermal transmission (U-value) and the low solar heat gain co-efficiency (G Value).

**Reduction of the Wind Pressure Effects:** Double Skin Façades around high rise buildings can serve to reduce the effects of wind pressure.

**Natural Ventilation:** One of the main advantage of the Double Skin Façade Systems is that they can allow natural ventilation.



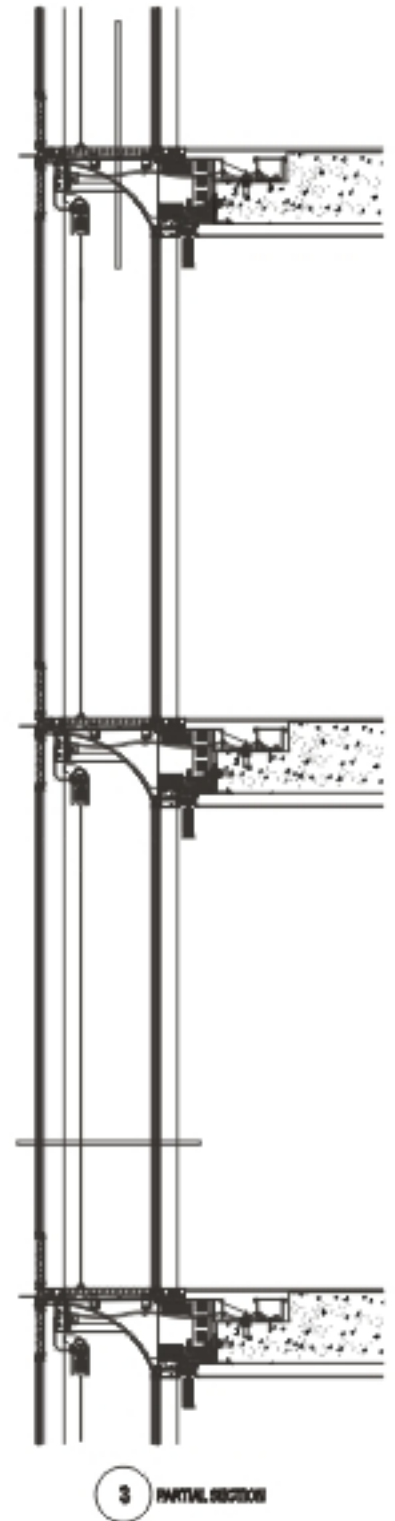
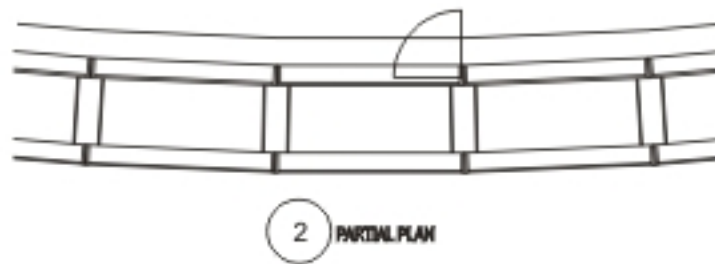
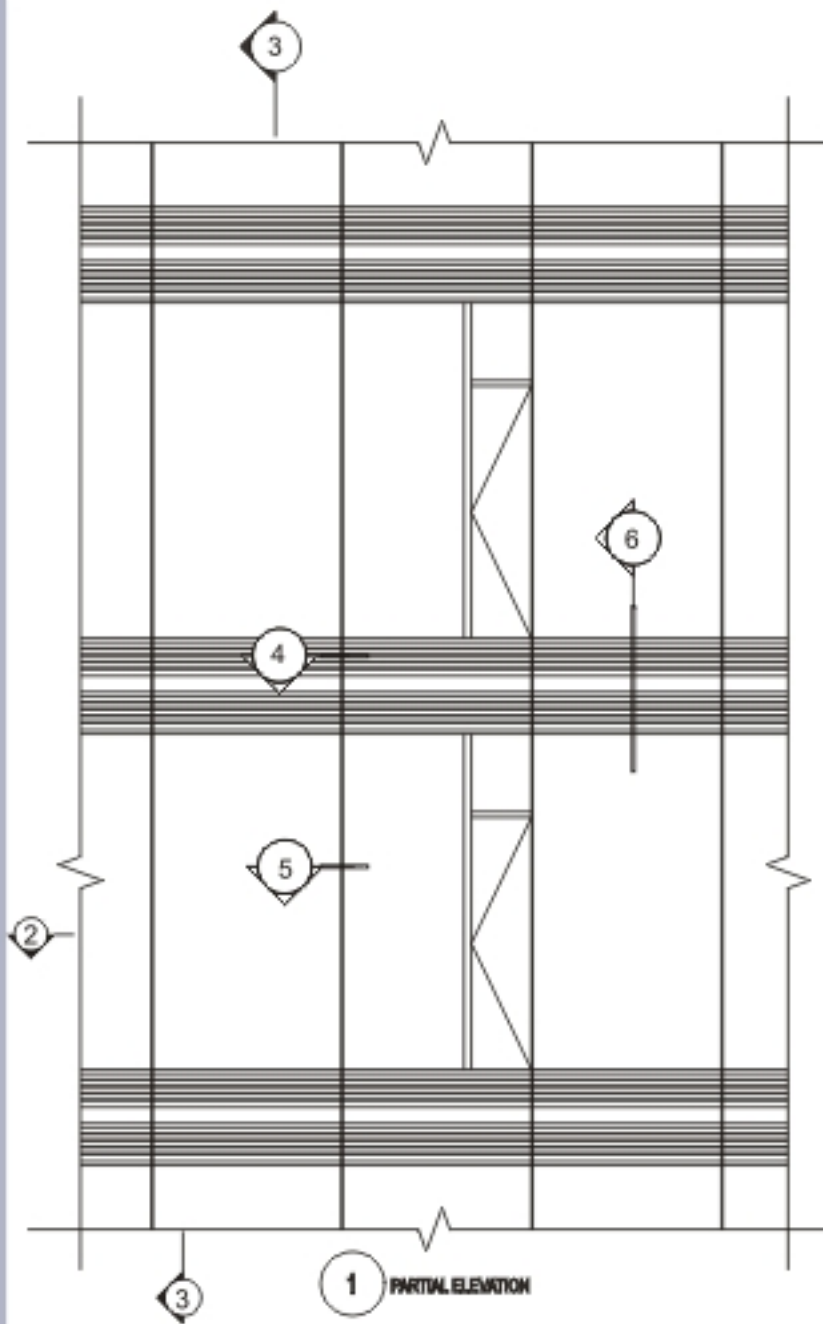
ISO 14001:2004



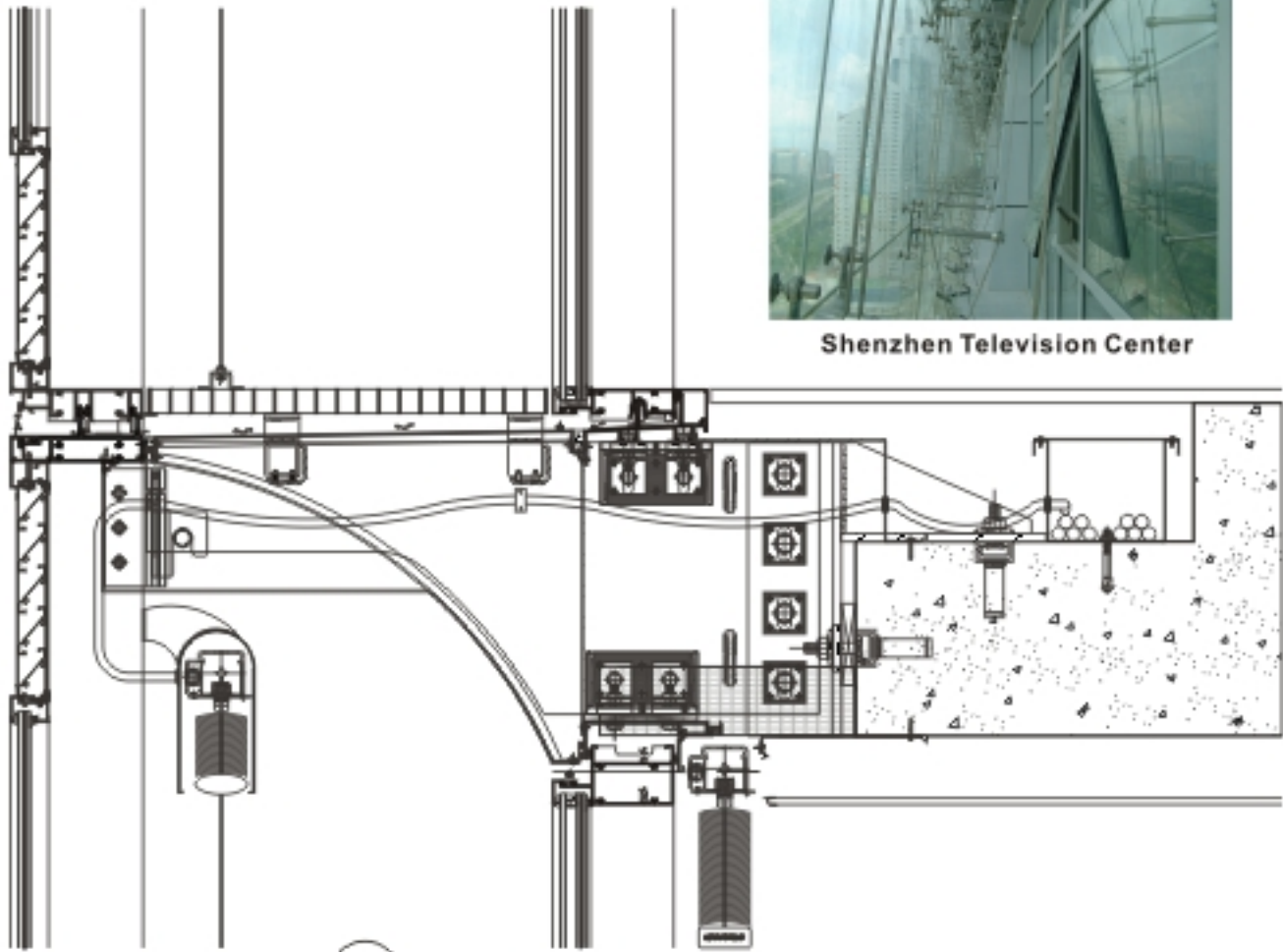
ISO 9001:2008



ALL DESIGN CONCEPTS AND DRAWINGS ARE COPYRIGHT RESERVED BY "SANXIN FAÇADE TECHNOLOGY LTD.". DO NOT SCALE THE DRAWINGS.



ALL DESIGN CONCEPTS AND DRAWINGS ARE COPYRIGHT RESERVED BY "SANXIN FAÇADE TECHNOLOGY LTD."  
DO NOT SCALE THE DRAWINGS.

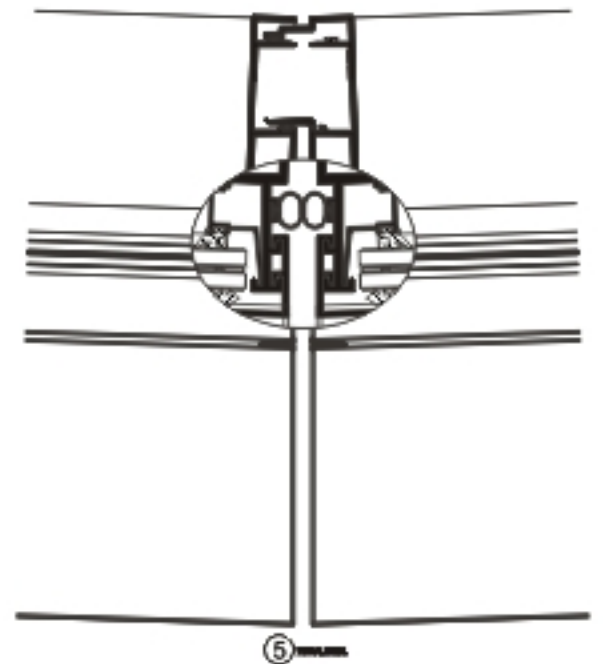


Shenzhen Television Center

6 TYPICAL DETAIL



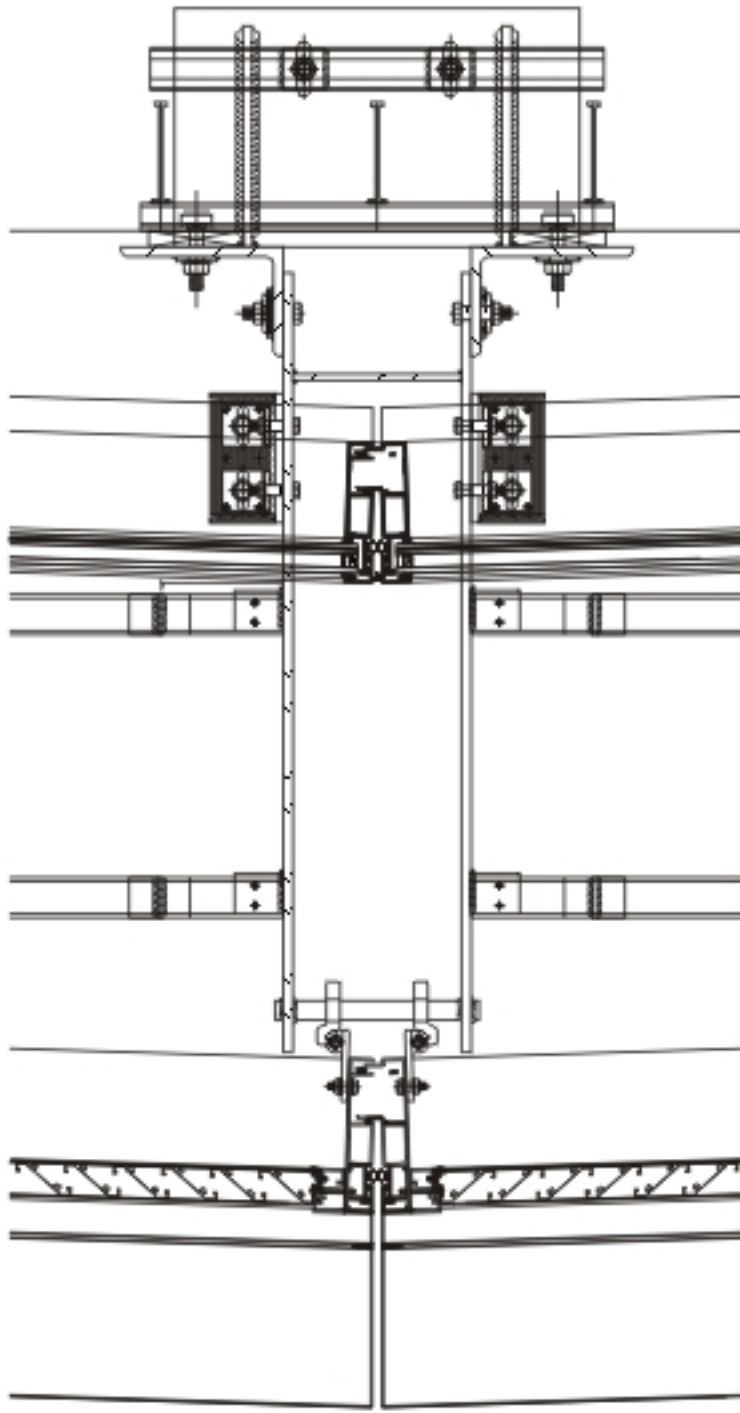
Beijing Culture Commercial Building



5



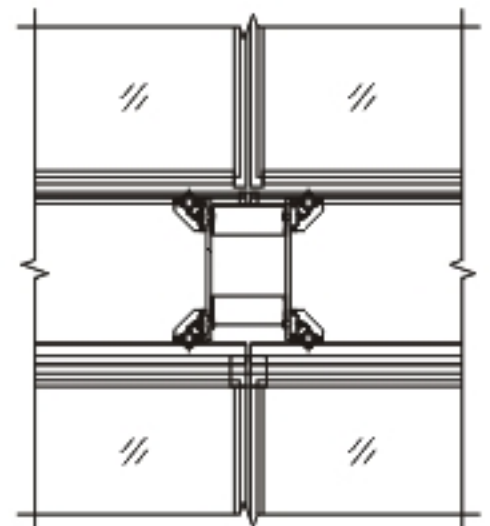
ALL DESIGN CONCEPTS AND DRAWINGS ARE COPYRIGHT RESERVED BY "SANXIN FAÇADE TECHNOLOGY LTD.". DO NOT SCALE THE DRAWINGS.



4 TYPICAL DETAIL



Shenzhen Television Center



1 TYPICAL DETAIL