

Sanxin Façade Technology

Thermal Unitized Curtain Wall System-CW1100T

DESIGN ENGINEERING

MATERIAL TESTING

FABRICATION DELIVERY

Thermal Unitized Curtain Wall System-CW1100T

CW1100T unitized curtain wall system offer solution to sustainable building design for provide not only weather resistance, but also enhance energy efficiency of your project.

Key Features:

1. Excellent thermal insulation curtain wall system
2. Reduce cooling/ heating energy of HVAC system
3. Cold Bridging system to avoid condensation
4. With high performance glass unit, it can achieve U-value of 1.1~3.6 W/m²K (0.93~2.0 Btu/hr.ft.F)*

Aesthetic Features for SFT Unitized Curtain Wall CW1000

1. 4-side structural glazed, SSG System.
2. 2-side horizontal glazed, SSG System
3. 2-side vertical glazed, SSG System.
4. 4-side captured System.

5. Optional for various design of capping, architectural feature and sun shading.

*Actual U-value to be subject to each job case, it could be vary due to vision/ spandrel ratio, selection of glass... etc



ISO 14001:2004

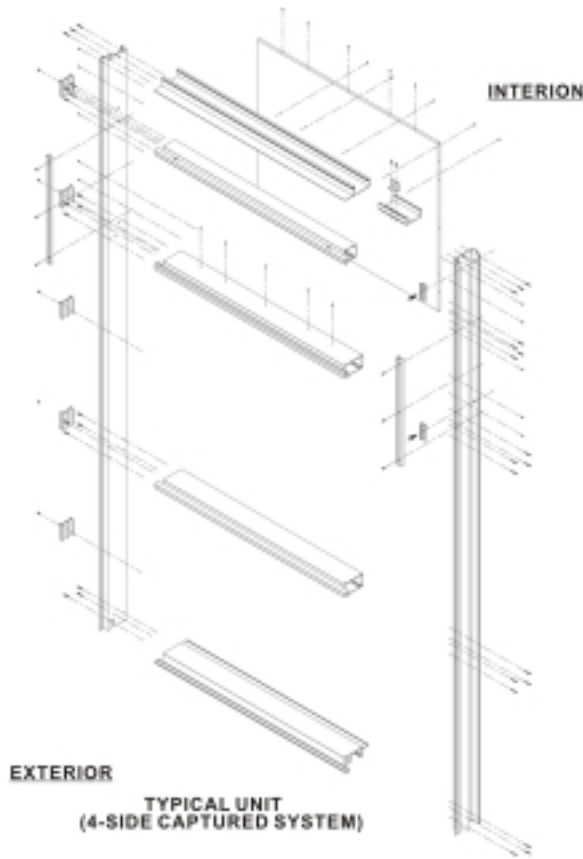


ISO 9001:2008

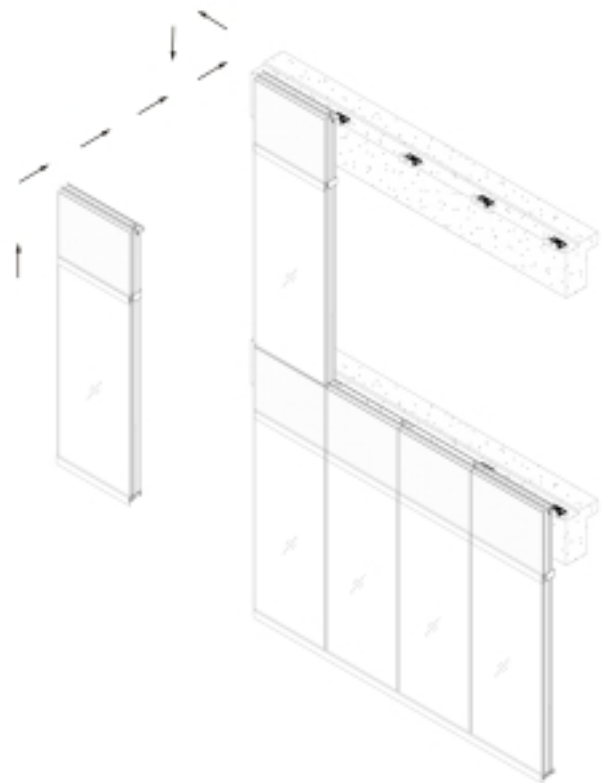


Subsidiary of AVIC Group

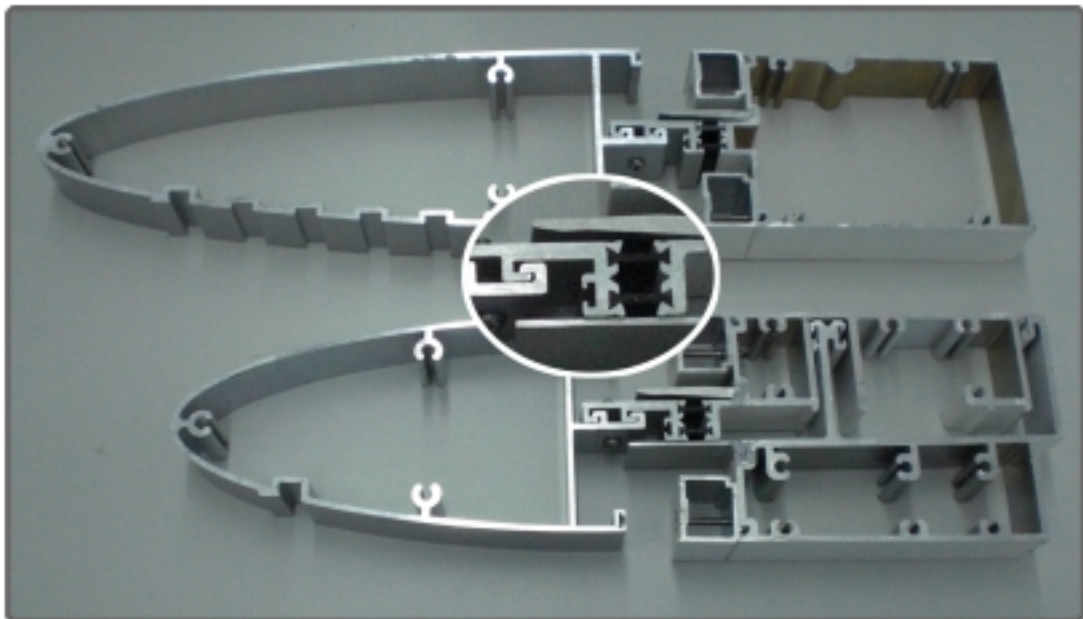
ALL DESIGN CONCEPTS AND DRAWINGS ARE COPYRIGHT RESERVED BY "SANXIN FAÇADE TECHNOLOGY LTD.". DO NOT SCALE THE DRAWINGS.



ASSEMBLY VIEW

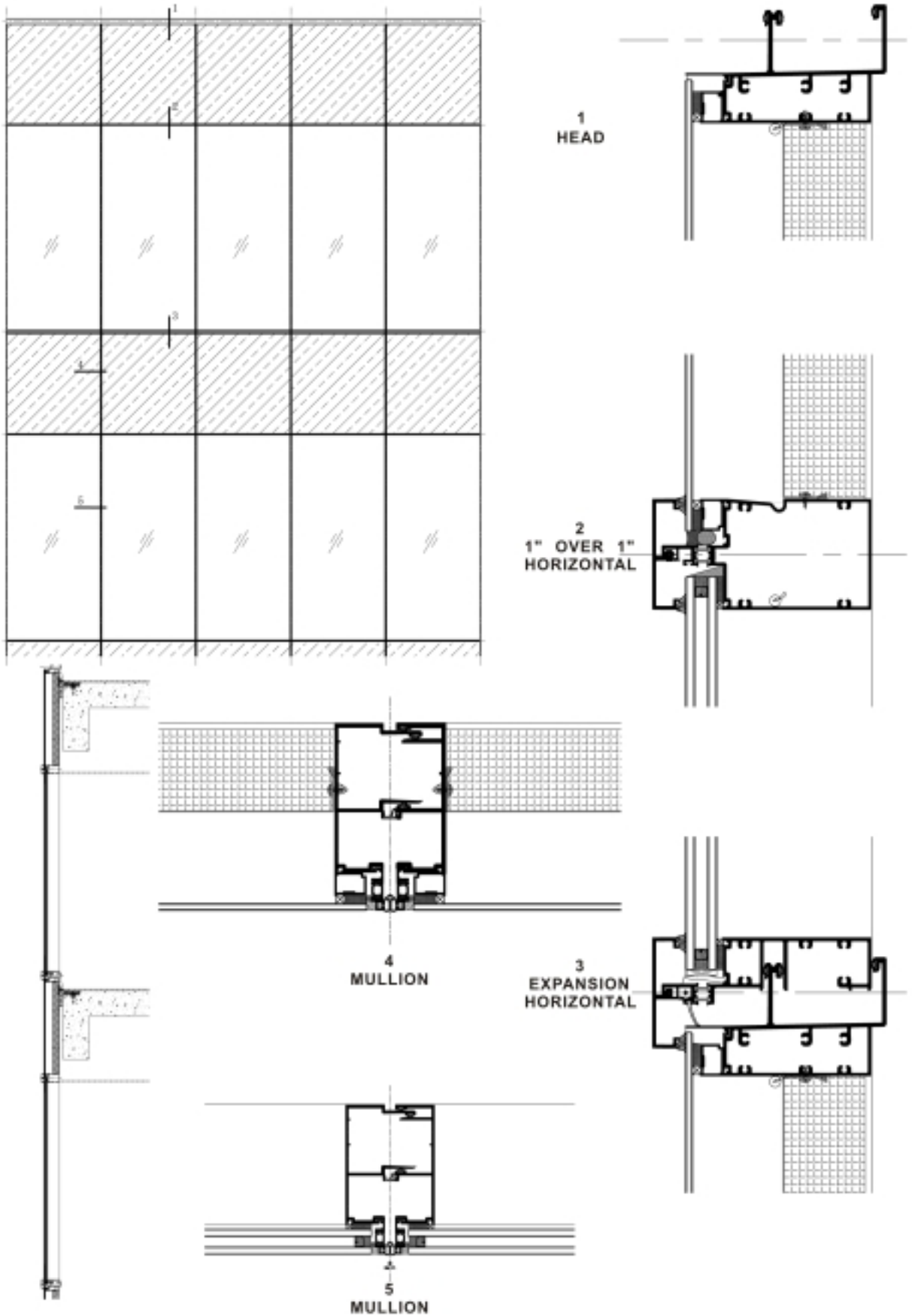


INSTALLATION VIEW

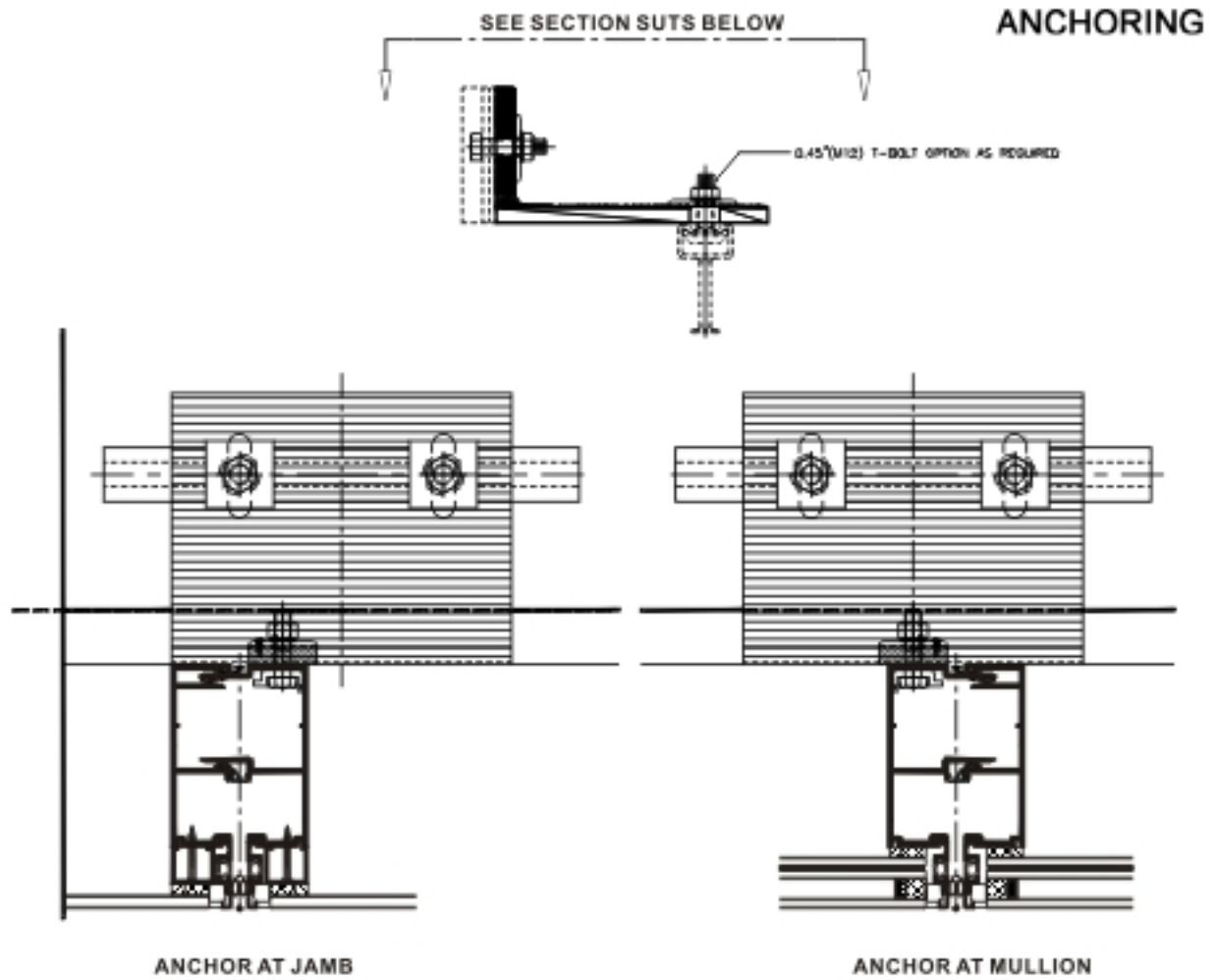


TYPICAL DETAILS (4-SIDE SSG SYSTEM)

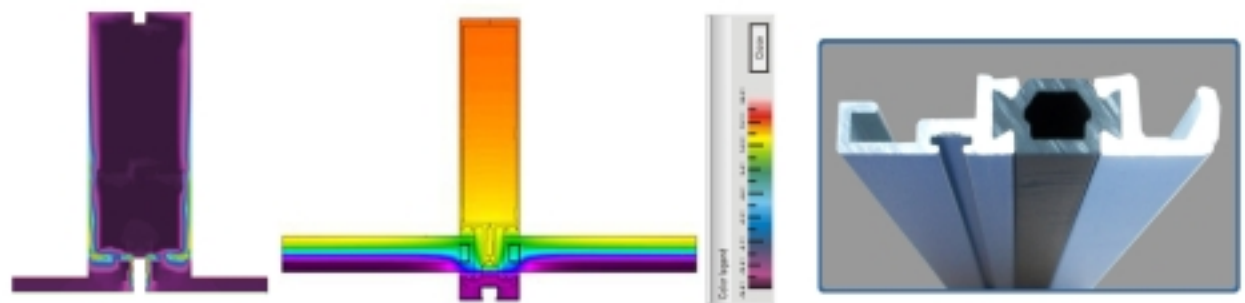
ALL DESIGN CONCEPTS AND DRAWINGS ARE COPYRIGHT RESERVED BY "SANXIN FAÇADE TECHNOLOGY LTD.".
DO NOT SCALE THE DRAWINGS.



ALL DESIGN CONCEPTS AND DRAWINGS ARE COPYRIGHT RESERVED BY "SANXIN FAÇADE TECHNOLOGY LTD.". DO NOT SCALE THE DRAWINGS.



Thermal Analysis



Traditional Curtain Wall Thermal Break Curtain Wall